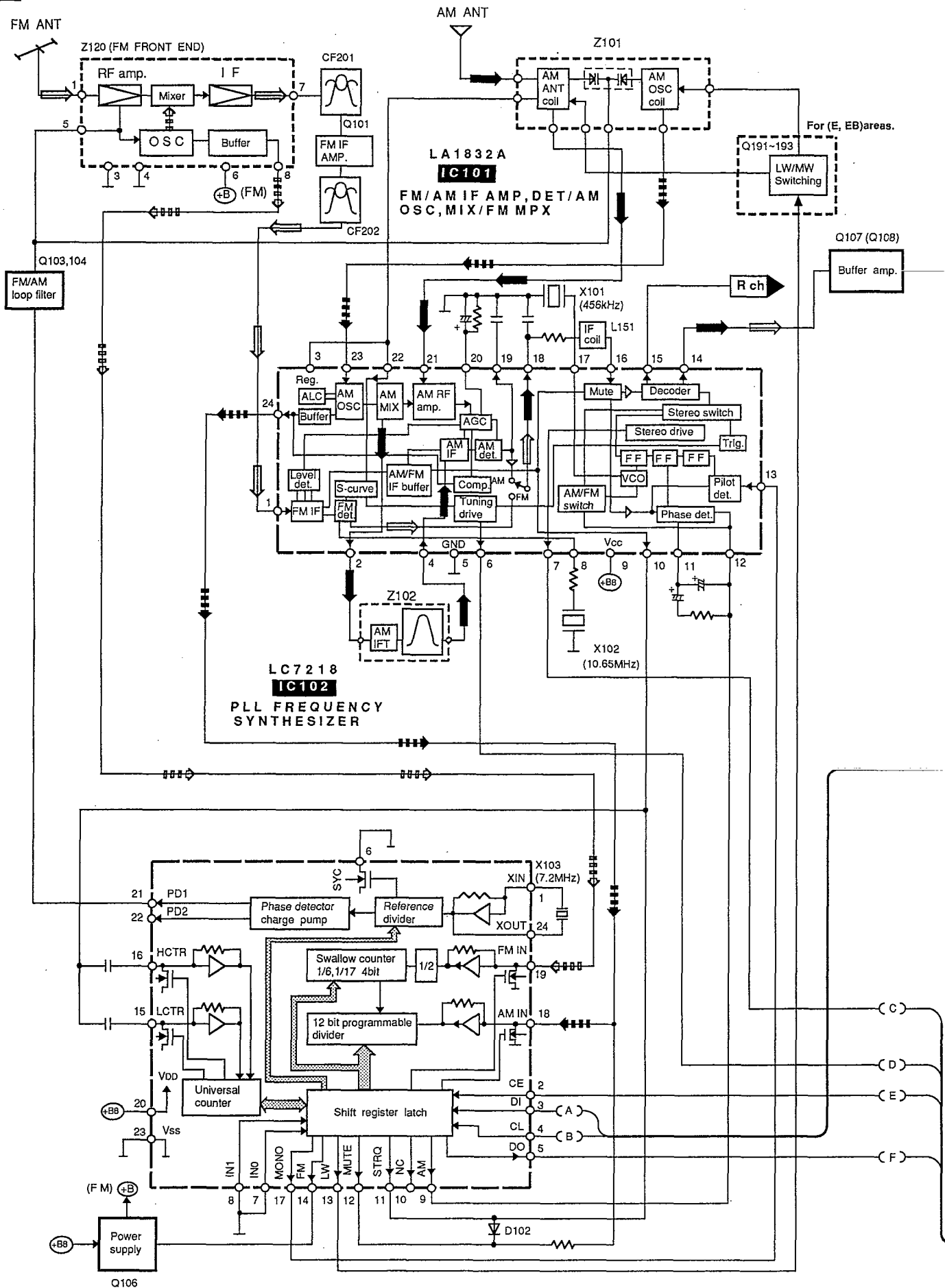
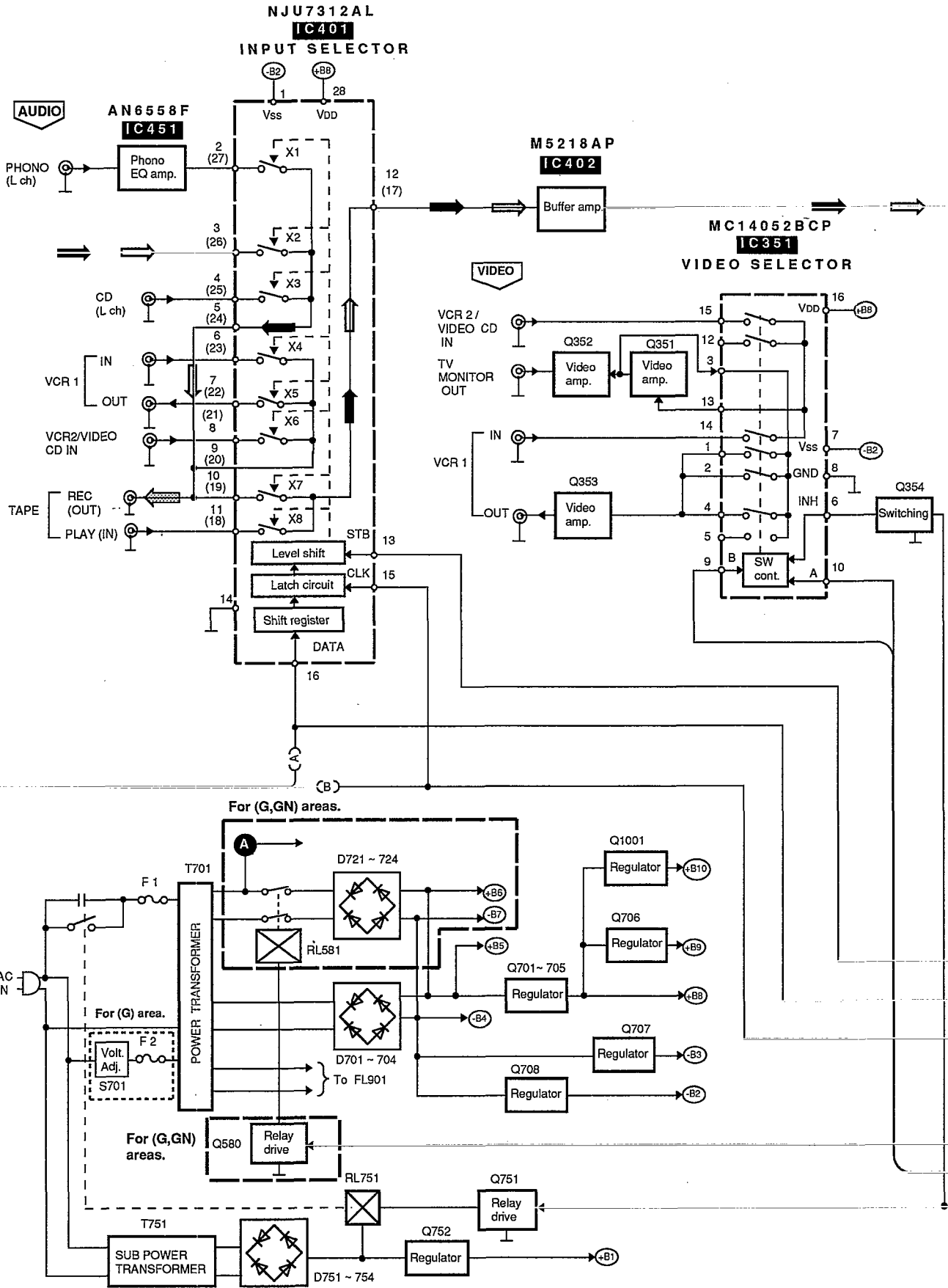
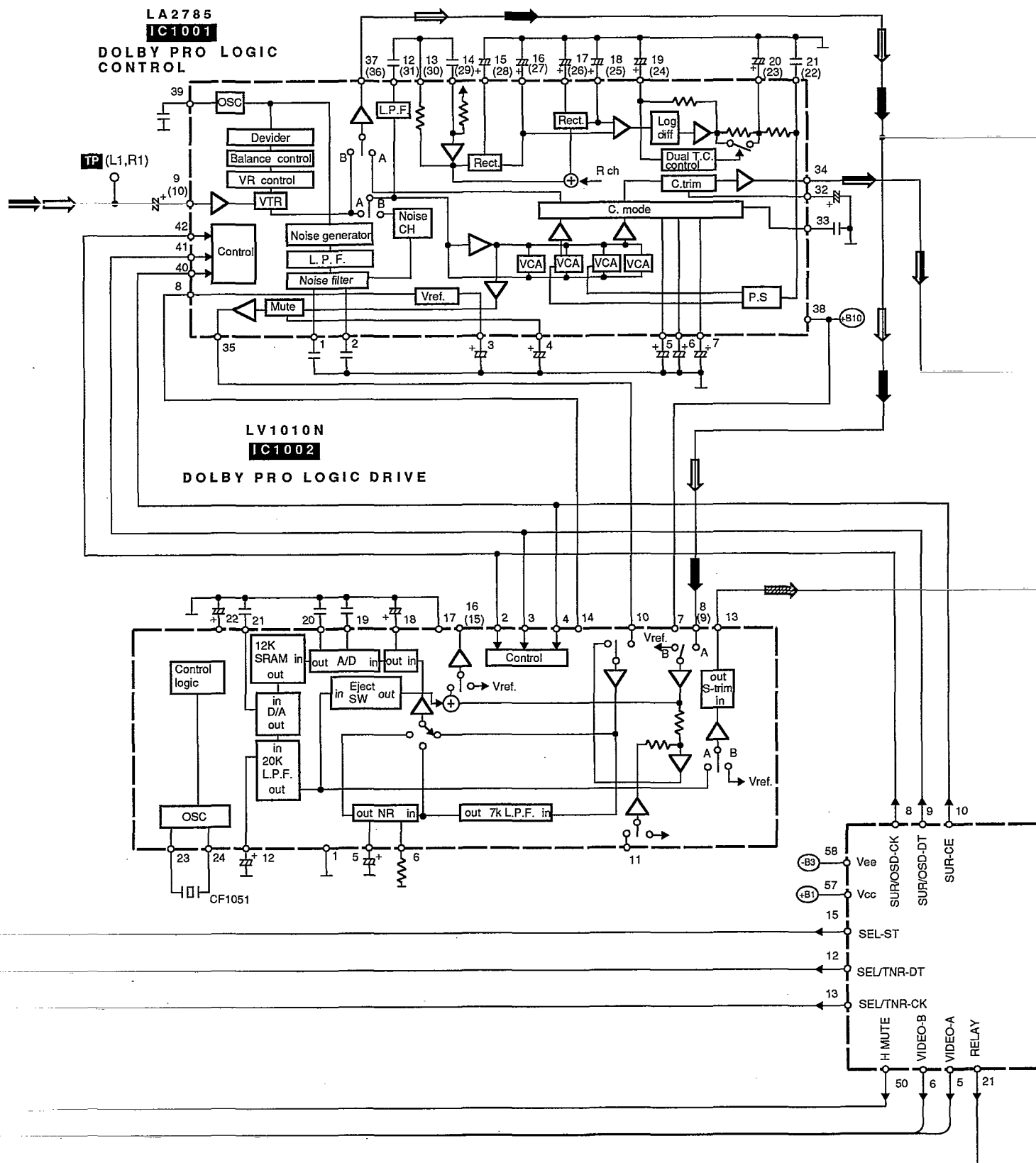
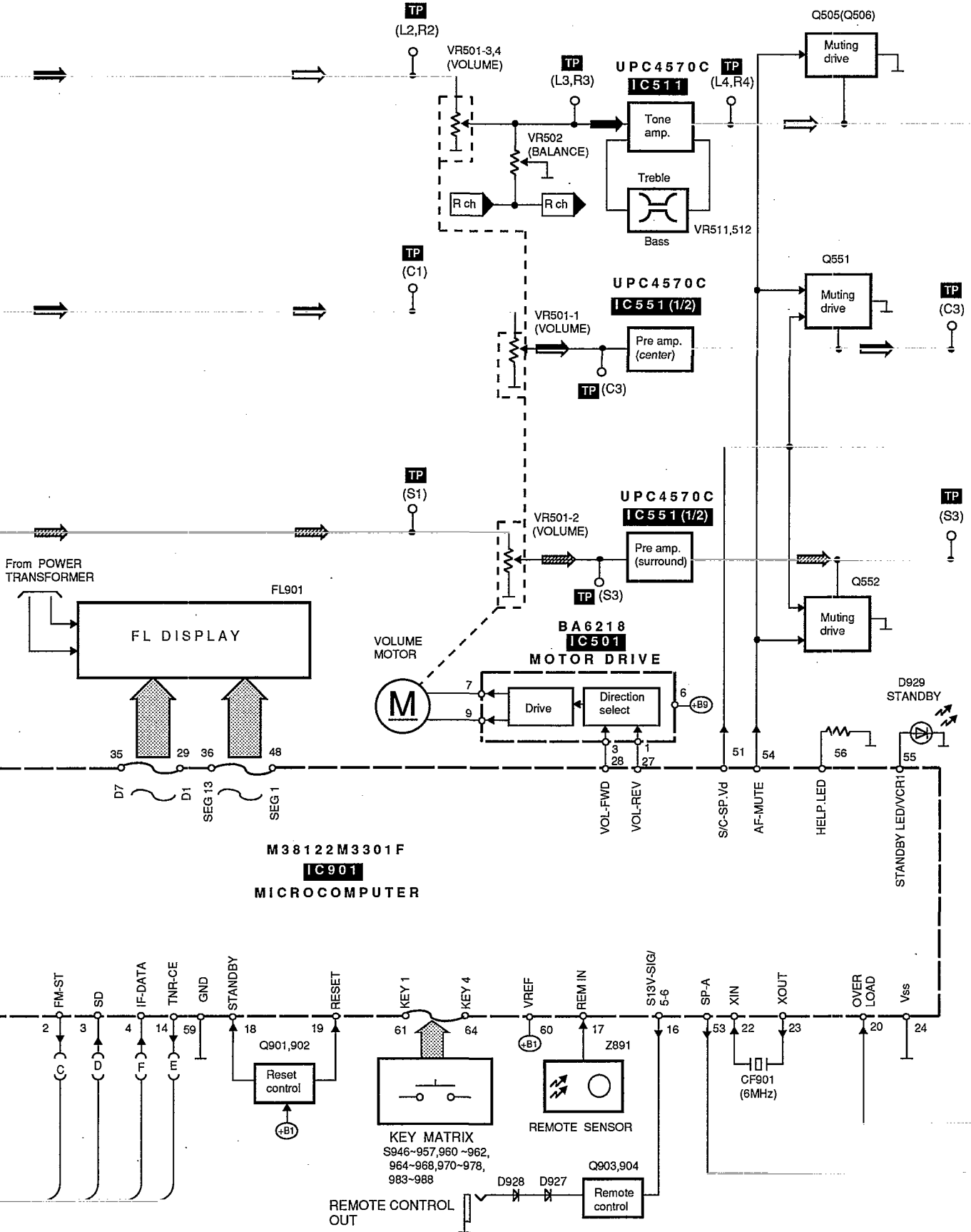


BLOCK DIAGRAM



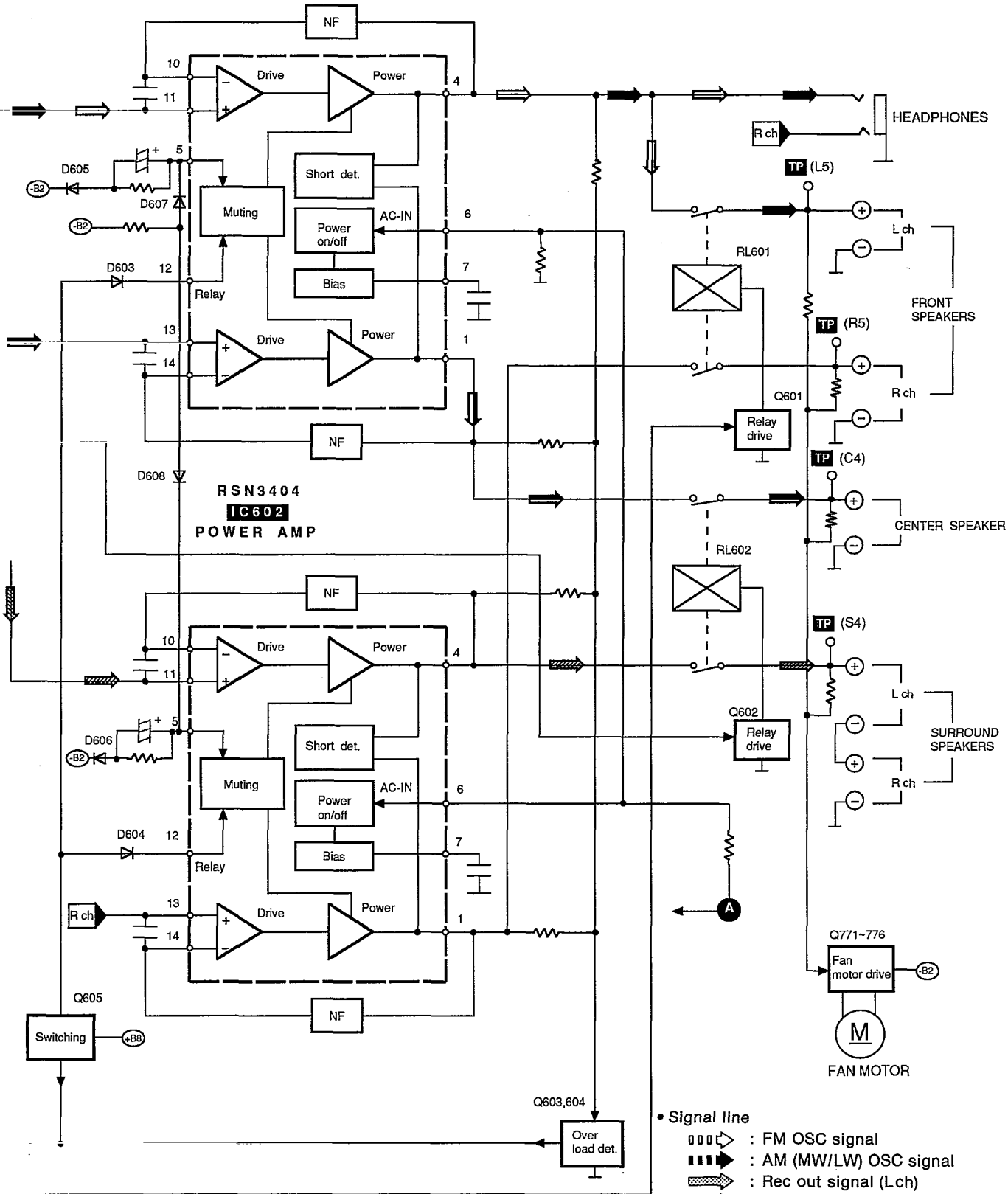






**RSN3404
IC601
POWER AMP**

**RSN3404
IC602
POWER AMP**



- Signal line
- : FM OSC signal
 - ▣▣▣ : AM (MW/LW) OSC signal
 - ▨▨▨ : Rec out signal (Lch)
 - ▧▧▧ : Surround speaker drive signal (Lch)
 - ▩▩▩ : FM signal
 - ▬▬▬ : AM (MW/LW) signal
 - ▨▨▨ : Center speaker drive signal (Lch)

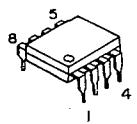
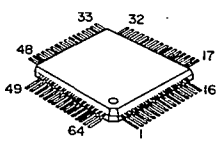
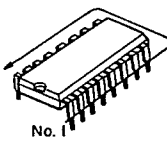
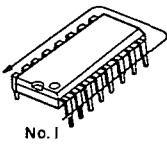
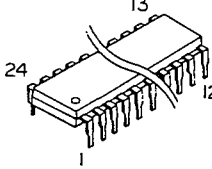
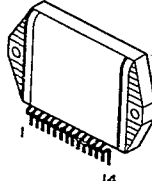
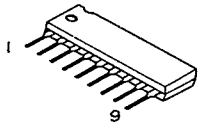
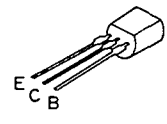
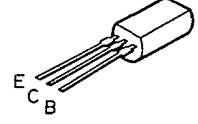
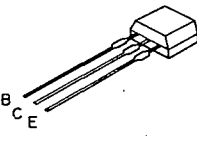
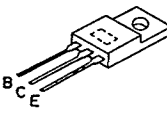

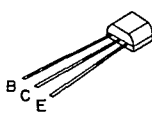
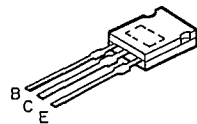
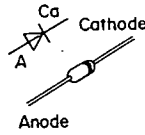
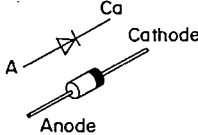
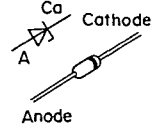
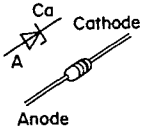
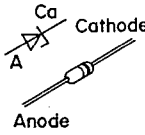
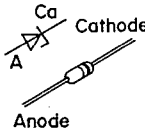
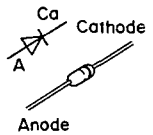
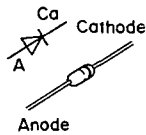
■ TERMINAL GUIDE

• IC901 (M38122M3301F): MICROCOMPUTER

Pin No.	Mark	I/O Division	Function
1	LOUDNESS	—	Not used, open
2	FM_ST	I	Stereo signal detect terminal
3	SD	I	Received signal detect terminal
4	IF_DATA	I	Serial data signal
5	VIDEO_A	O	Video selector control terminal
6	VIDEO_B		
7	SFC_SW	—	Not used, open
8	SUR/ OSD_CK	O	Serial clock signal
9	SUR/ OSD_DT	O	Serial data signal
10	SUR_CE	O	Chip enable signal
11	OSD_ST	—	Not used, open
12	SEL/ TNR_DT	O	Serial data signal
13	SEL/ TNR_CK	O	Serial clock signal
14	TNR_CE	O	Chip enable signal
15	SEL_ST	O	Level shift control terminal
16	S13V_SIG /5-6	O	Remote control out terminal
17	REM_IN	I	Remote control terminal
18	STANDBY	I	Power detect terminal
19	RESET	I	Reset detect terminal
20	OVERLOAD	I	Over load detect terminal
21	RELAY	O	Relay control terminal
22	Xin	I	Crystal oscillator terminal (6MHz)
23	Xout	O	

Pin No.	Mark	I/O Division	Function
24	Vss	—	GND terminal
25	L/R_LIMITER	O	Muting drive control
26	NC	—	Not used, connected to resistor
27	VOL_REV	O	Rotation control terminal of volume motor
28	VOL_FWD		
29 } 35	D1 } D7	O	Digit signal of FL display
36 } 48	Seg13 } Seg1	O	Segment signal of FL display
49	INIT_IN	I	Not used, connected to resistor
50	H_MUTE	O	Muting control terminal
51	S/C_SP. Vd	O	Surround and speaker select control terminal
52	SP_B	O	Speaker select control terminal
53	SP_A		
54	AF_MUTE	O	Muting control terminal
55	STANDBY_ LED/VCR1	O	LED drive signal (STANDBY)
56	HELP_LED	O	LED drive signal (HELP)
57	Vcc	I	Power supply terminal
58	Vee	I	Power supply terminal
59	GND	—	GND terminal
60	Vref	I	Power supply terminal
61 } 64	KEY1 } KEY4	I	Key matrix detect terminal

■ TERMINAL GUIDE OF IC'S, TRANSISTORS AND DIODES

<p>M5218AP</p> 	<p>M38122M3301F</p> 	<p>AN6558F 8 Pin LA2785 42 Pin</p> 	<p>UPC4570C 8 Pin MC14052BCP 16 Pin NJU7312AL 28 Pin</p> 	
<p>LA1832A LC7218 LV1010N</p> 	<p>RSN3404</p> 	<p>BA6218</p> 	<p>2SC2631QRSTA</p> 	<p>2SC3940AQSTA</p> 
<p>2SA933SSTA DTA144ESTP DTC114YSTP</p> 	<p>2SD2374PQAU 2SB1548PQAU</p> 		<p>2SA1309AIRTA 2SC2785FETA 2SC2787LTA 2SC3311AIRTA 2SC3311ARSTA 2SD1915FTA</p> <p>UN411FTA UN421FTA UN4213AITA</p>	
<p>2SC3327ABTP</p> 	<p>2SB1357DEFTA</p> 	<p>MA165TA 1SR35200TB RVD1SS133TA</p> 	<p>P300D5002T</p> 	<p>MTZJ3R9ATA MTZJ4R7BTA</p> 
	<p>MA4051MTA MA4056MTA MA4062MTA MA4068MTA MA4068LTA MA4075MTA</p> 	<p>MA4100MTA MA4150MTA MA4220MTA</p> 	<p>LN846RPH</p> 	<p>1SS291TA</p> 




■ SCHEMATIC DIAGRAM (Parts list on pages 50~55.)

(This schematic diagram may be modified at any time with the development of new technology.)

Notes:

- **S701** : Voltage adjustment switch in "240V" position.
(110V ↔ 127V ↔ 220V ↔ 240V)
[For (G) area only.]
- **S946** : Numeric (5) switch.
- **S947** : Center level adjust (CENTER (-)) switch.
- **S948** : Test signal ON/OFF (TEST) switch.
- **S949** : Numeric (4) switch.
- **S950** : Numeric (6) switch.
- **S951** : Center level adjust (CENTER (+)) switch.
- **S952** : Numeric (7) switch.
- **S953** : Surround select (SURROUND (-)) switch.
- **S954** : Input select (CD) switch.
- **S955** : Input select (TUNER) switch.
- **S956** : Center mode select (CENTER MODE) switch.
- **S957** : Numeric (9) switch.
- **S960** : Surround select (SURROUND (+)) switch.
- **S961** : Numeric (8) switch.
- **S962** : Numeric (0) switch.
- **S964** : Input select (PHONO) switch.
- **S965** : Muting (MUTING) switch.
- **S966** : Memory (MEMORY) switch.
- **S967** : Help/reset (-HELP/-RESET) switch.
- **S968** : Numeric (≥ 10) switch.
- **S970** : Tape monitor (TAPE MONITOR) switch.
- **S971** : Input select (VCR 2/VIDEO CD) switch.
- **S972** : Input select (VCR 1) switch.
- **S973** : Speaker ON/OFF (SPEAKERS) switch.
- **S974** : Tuning control (TUNING \wedge) switch.
- **S975** : Tuning control (TUNING \vee) switch.
- **S976** : Band select (BAND) switch.
- **S977** : FM mode select (FM AUTO/MONO) switch.
- **S978** : Power (POWER) switch.
- **S983** : 3 stereo ON/OFF (3 STEREO) switch.
- **S984** : Surround ON/OFF (SURROUND) switch.
- **S985** : Numeric (3) switch.
- **S986** : Numeric (2) switch.
- **S987** : Numeric (1) switch.
- **S988** : Direct tuning (DIRECT TUNING) switch.

• Signal line

-  : FM OSC signal
-  : AM (MW/LW) OSC signal
-  : Rec out signal (Lch)
-  : Surround speaker drive signal (Lch)
-  : Positive voltage lines
-  : Negative voltage lines
-  : FM signal
-  : AM (MW/LW) signal
-  : Center speaker drive signal (Lch)

• Important safety notice

Components identified by Δ mark have special characteristics important for safety. Furthermore, special parts which have purposes of fire-retardant (resistors), high-quality sound (capacitors), low-noise (resistors), etc. are used as occasion calls. When replacing any of components, be sure to use only manufacturer's specified parts shown in the parts list.

• The supply part number is described alone in the replacement parts.

• All voltage values shown in circuitry are DC voltage in FM signal (Stereo signal) reception mode.

* Figures in () Stand for DC-voltage in AM (MW) signal reception mode.

* Figures in < > stand for DC-voltage in LW signal reception mode.

• L1~L5, R1~R5, C1, C3, C4, S1, S3, and S4 in the schematic diagram show the test points.

For detail, please refer to p. 16~p. 19.

• Caution!

IC and LSI are sensitive to static electricity.

Secondary trouble can be prevented by taking care during repair.

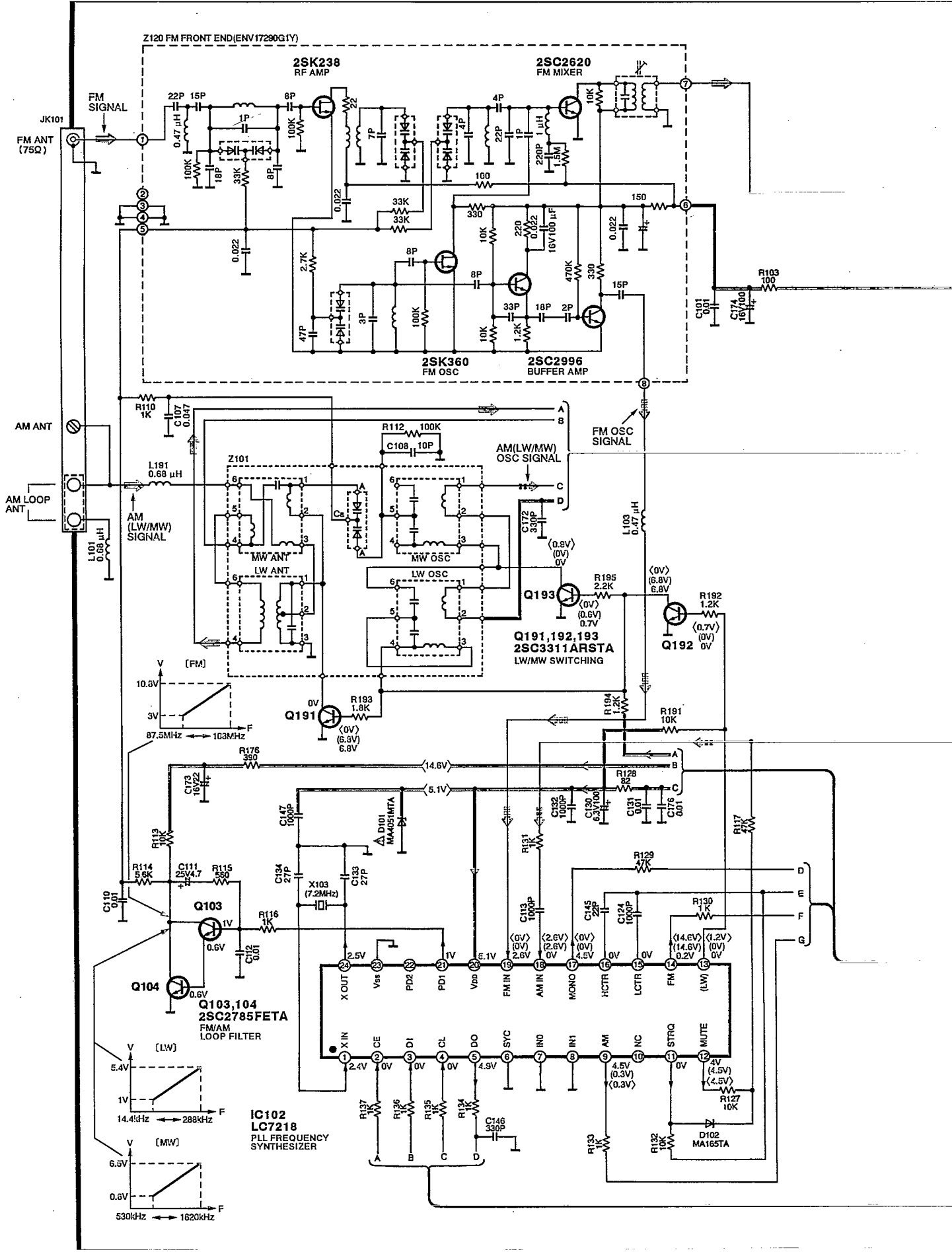
• Cover the parts boxes made of plastics with aluminum foil.

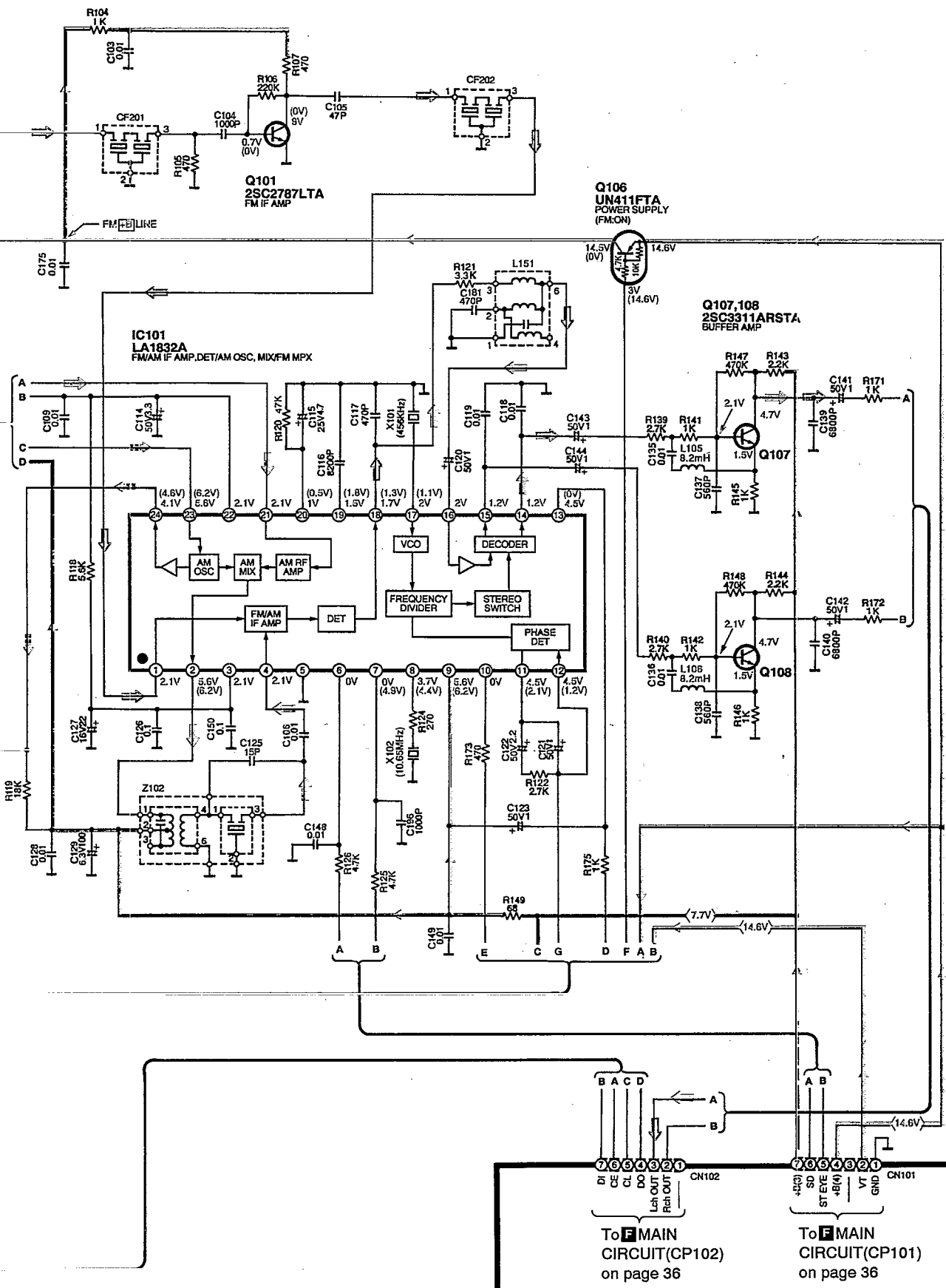
• Ground the soldering iron.

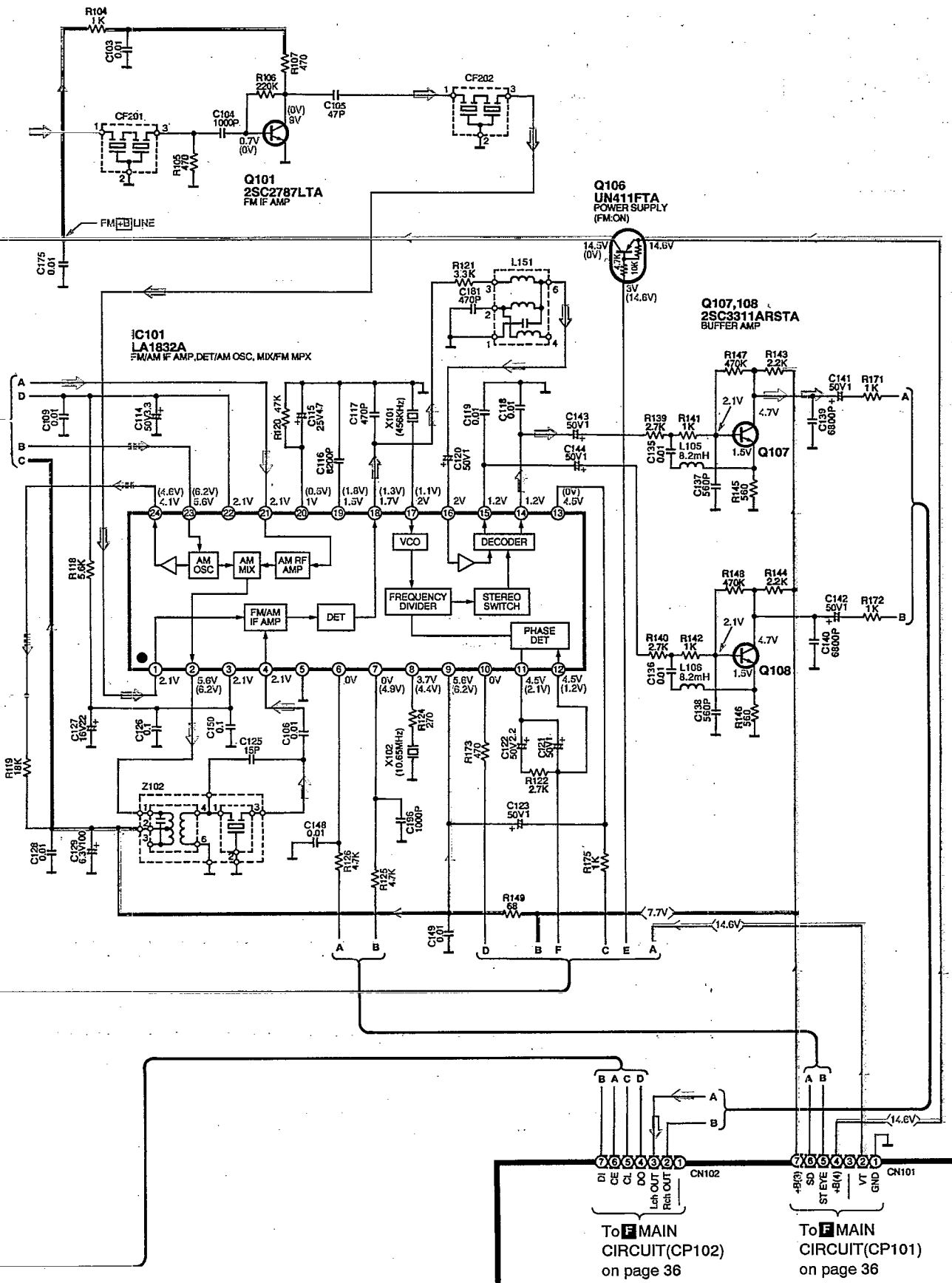
• Put a conductive mat on the work table.

• Do not touch the legs of IC or LSI with the fingers directly.

A TUNER CIRCUIT For(E,EB)areas. (P.C. Board: on page 41)

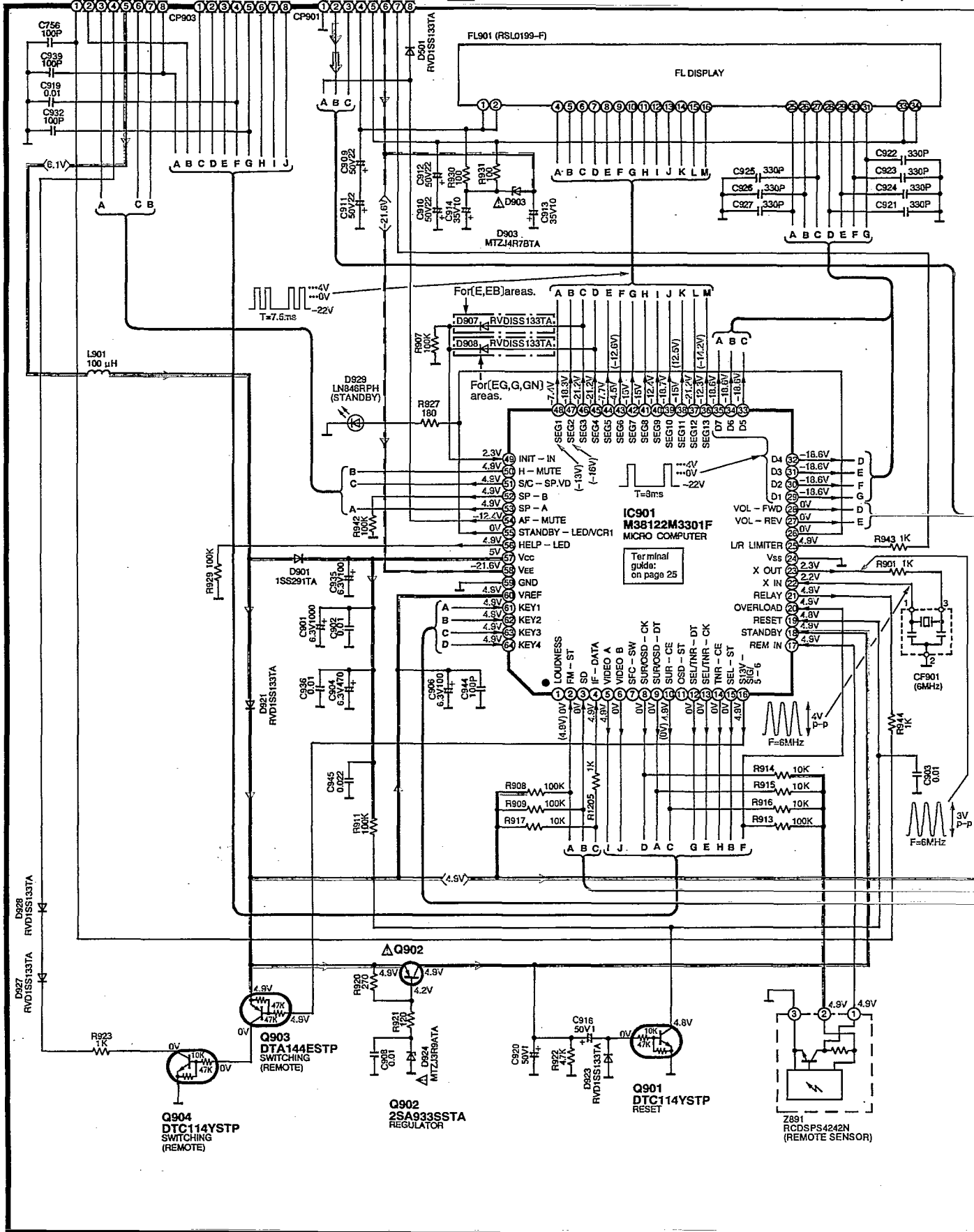




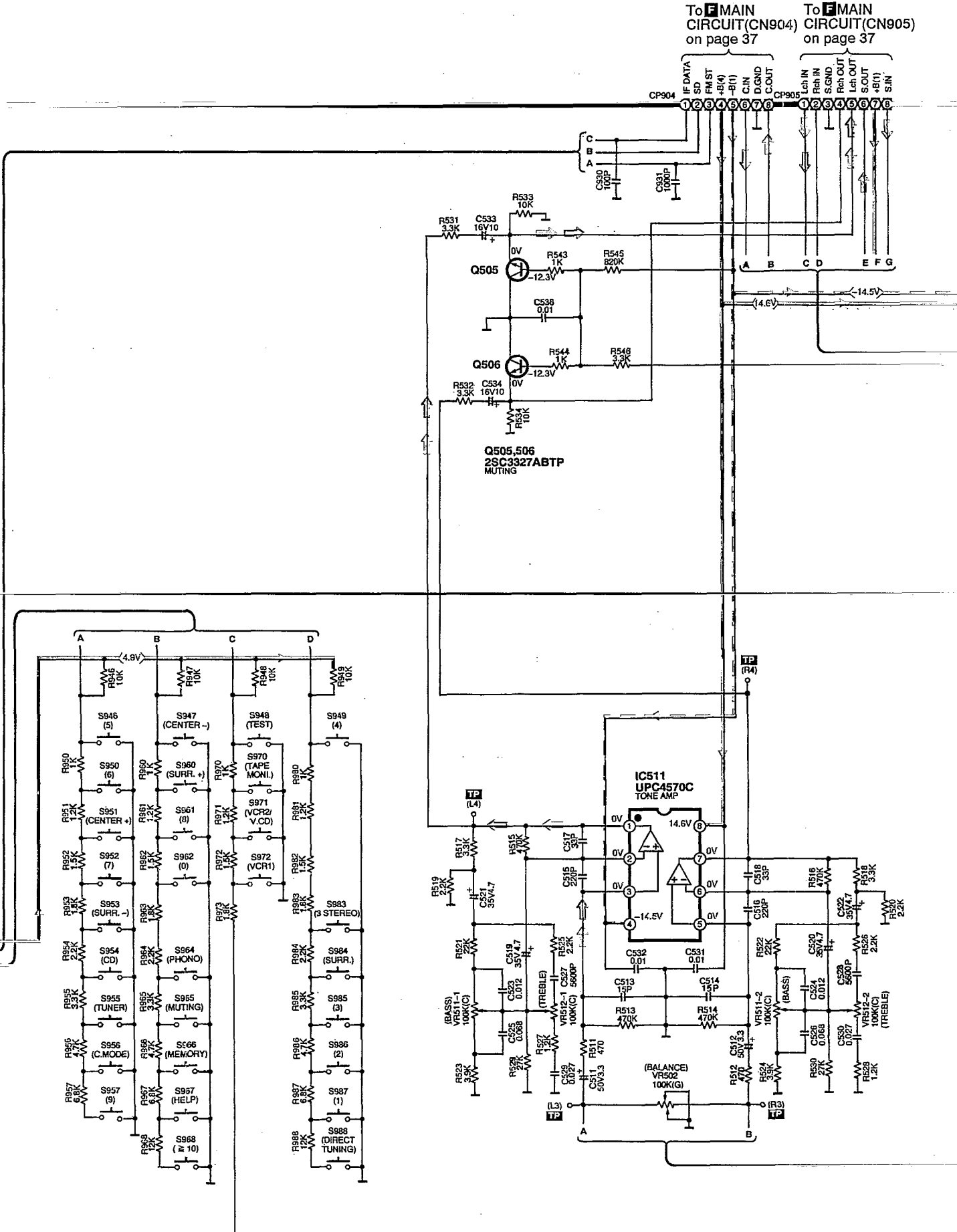


To MAIN CIRCUIT(CN902) on page 36
 To MAIN CIRCUIT(CN903) on page 36
 To MAIN CIRCUIT(CN901) on page 36

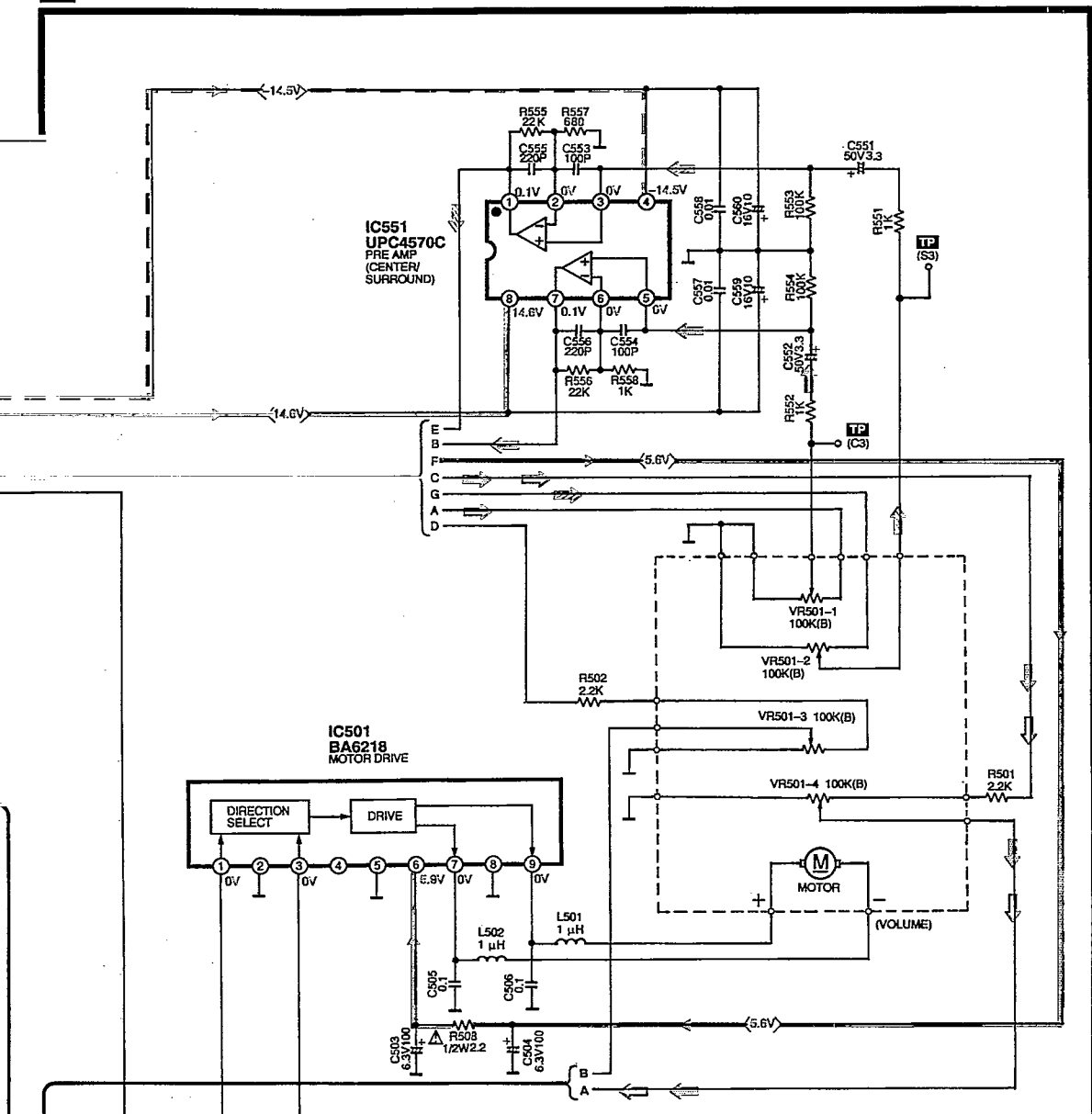
B FL CIRCUIT (P.C.Board : on page 44,45)



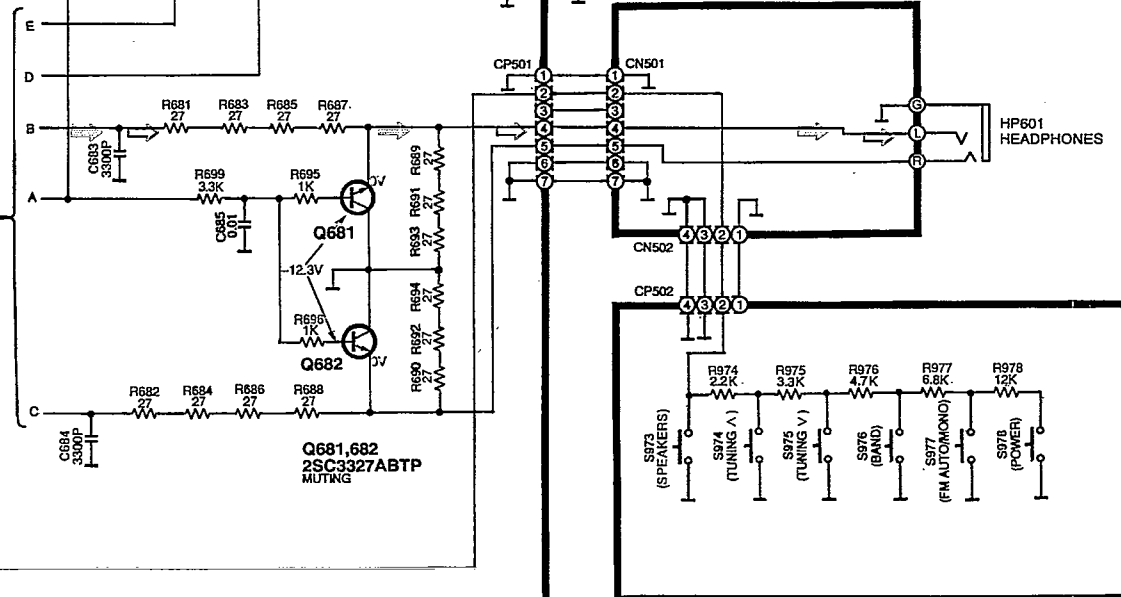
To MAIN CIRCUIT(CN904) on page 37
To MAIN CIRCUIT(CN905) on page 37



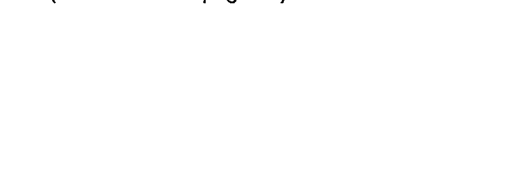
B FL CIRCUIT (P.C. Board: on page 44,45)



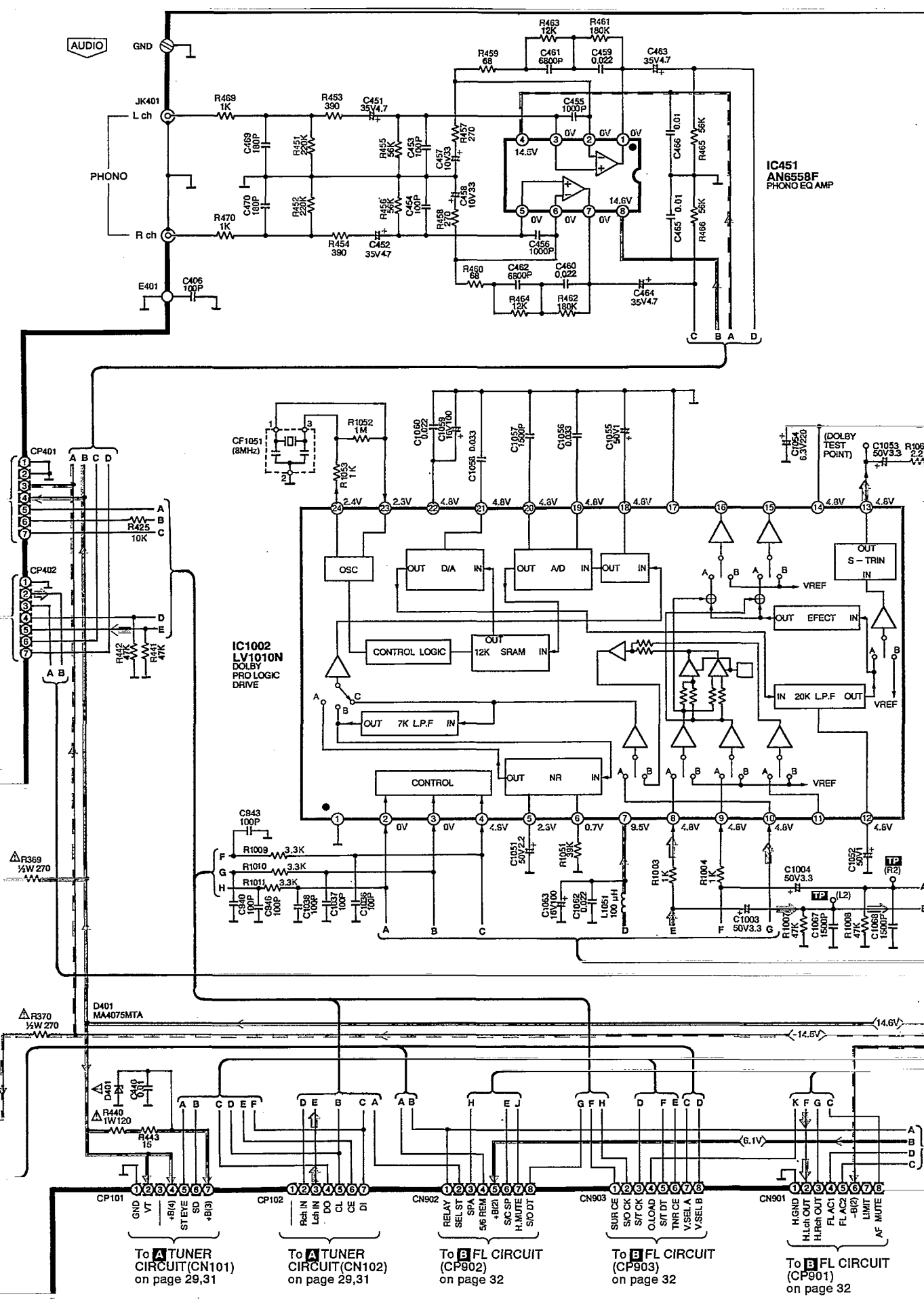
C HEADPHONES JACK CIRCUIT (P.C. Board: on page 43)



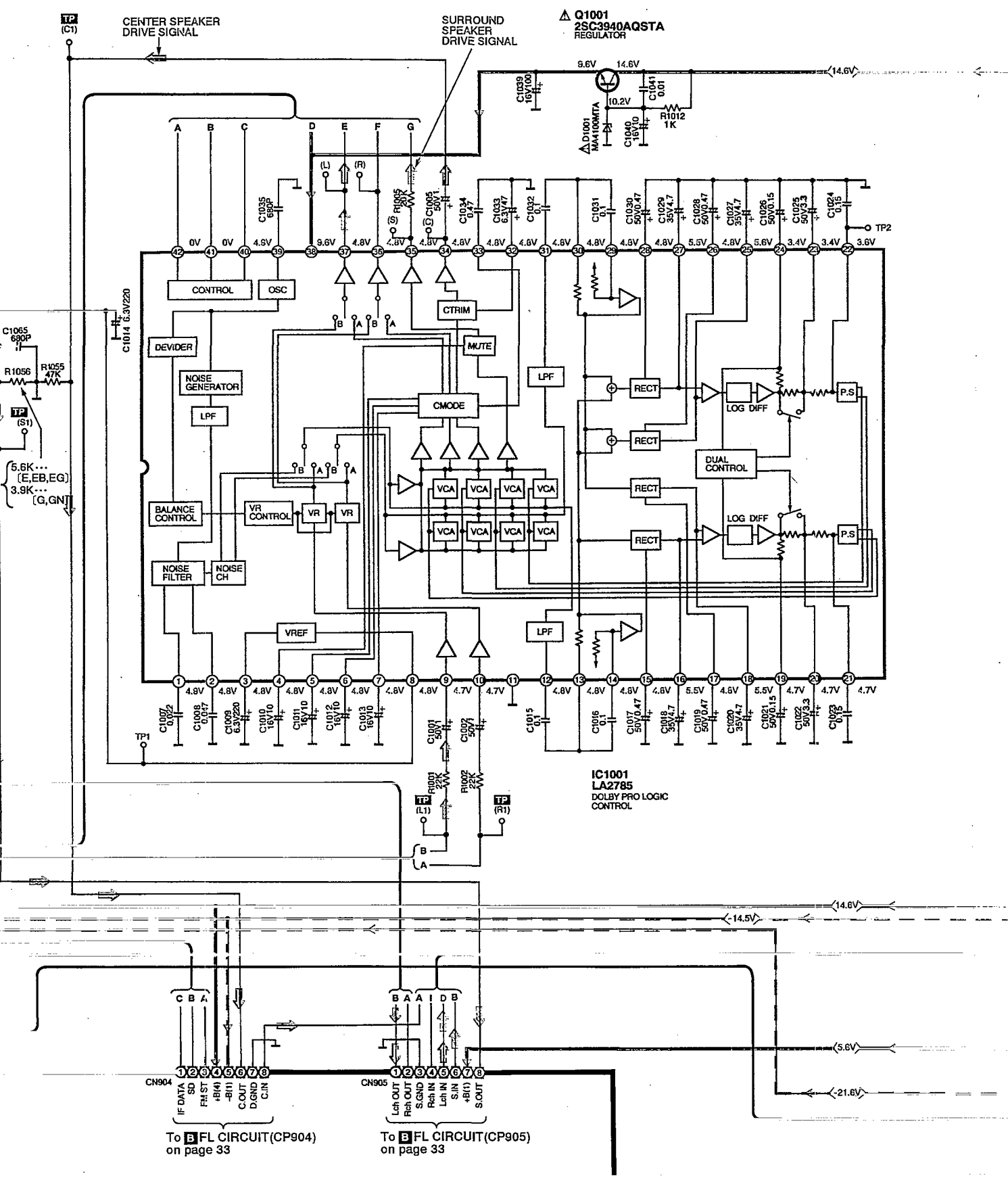
D POWER SWITCH CIRCUIT (P.C. Board: on page 44)



F MAIN CIRCUIT (P.C. Board: on pages 42,43)



F MAIN CIRCUIT (P.C. Board: on pages 42,43)

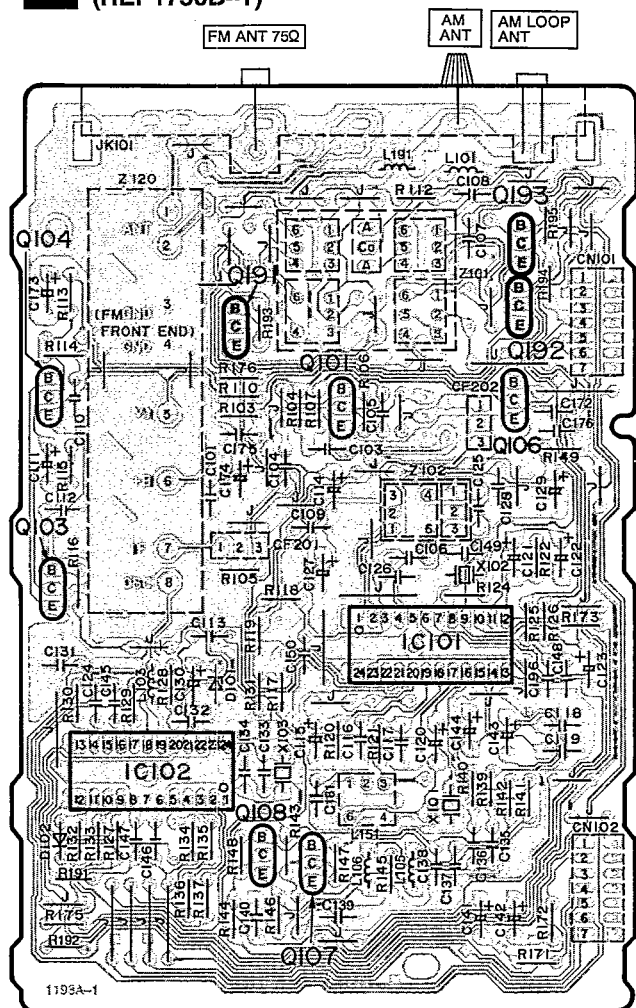


1 2 3 4 5

PRINTED CIRCUIT BOARDS

A
B
C
D
E
F
G

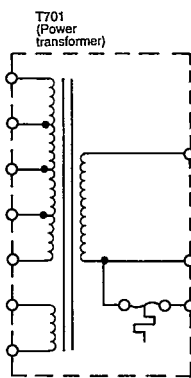
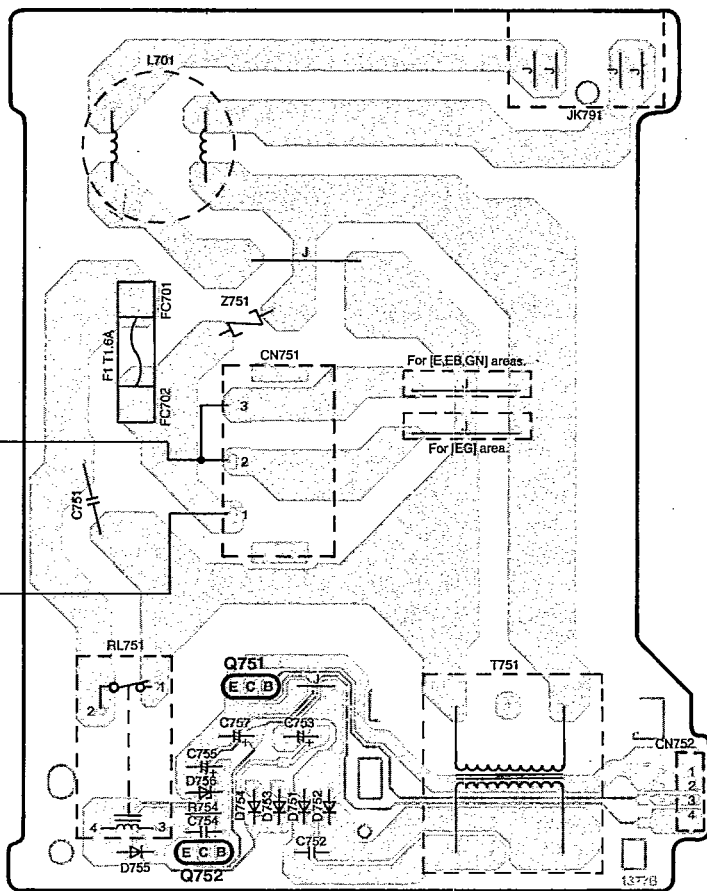
**A TUNER P.C.B. For [E,EB] areas.
(REP1750B-T)**



- This circuit board diagram may be modified at any time with the development of new technology.
- L1~L6, R1~R6, C1, C3, C4, C5, S1, S3, S4 and S5 in the circuit board diagram show the test points. For detail, please refer to p. 16~p. 19.

**G POWER SUPPLY P.C.B.
(REP2016B-P...[E,EB]
(REP2016C-P...[EG]
(REP2016E-P...[GN])**

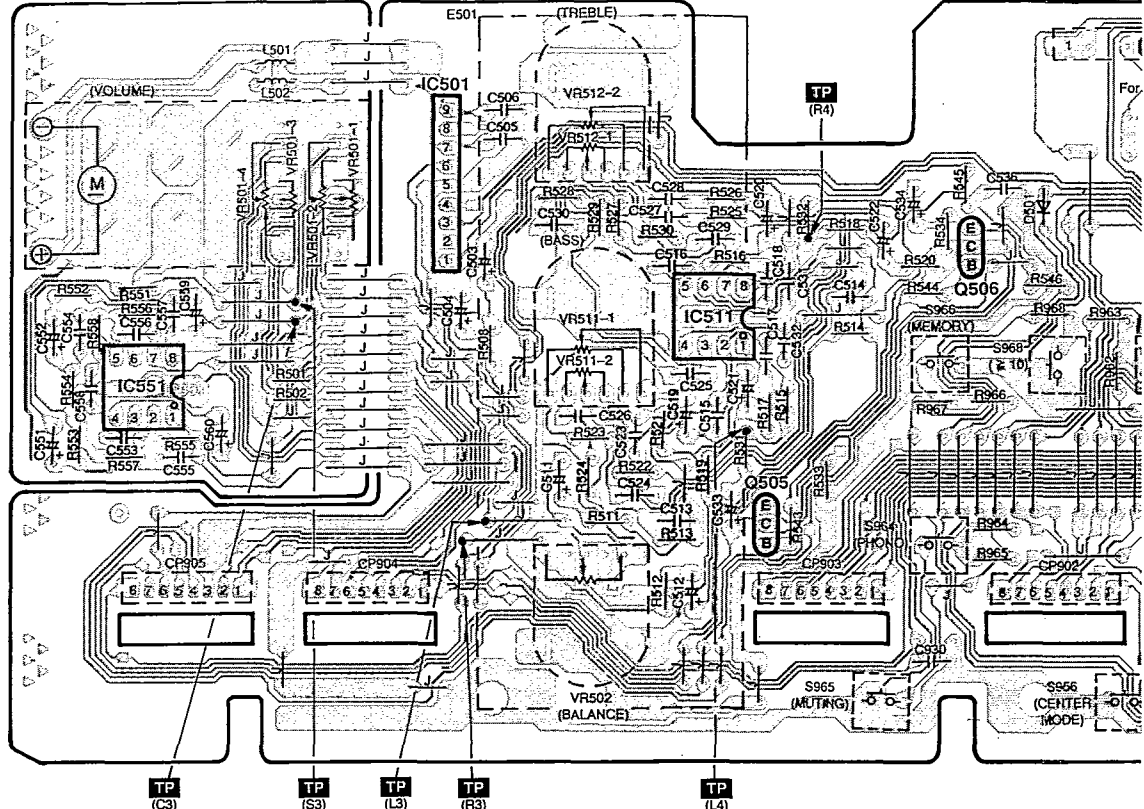
AC IN
230-240V...[E,EB,GN]
230V...[EG]
50/60Hz



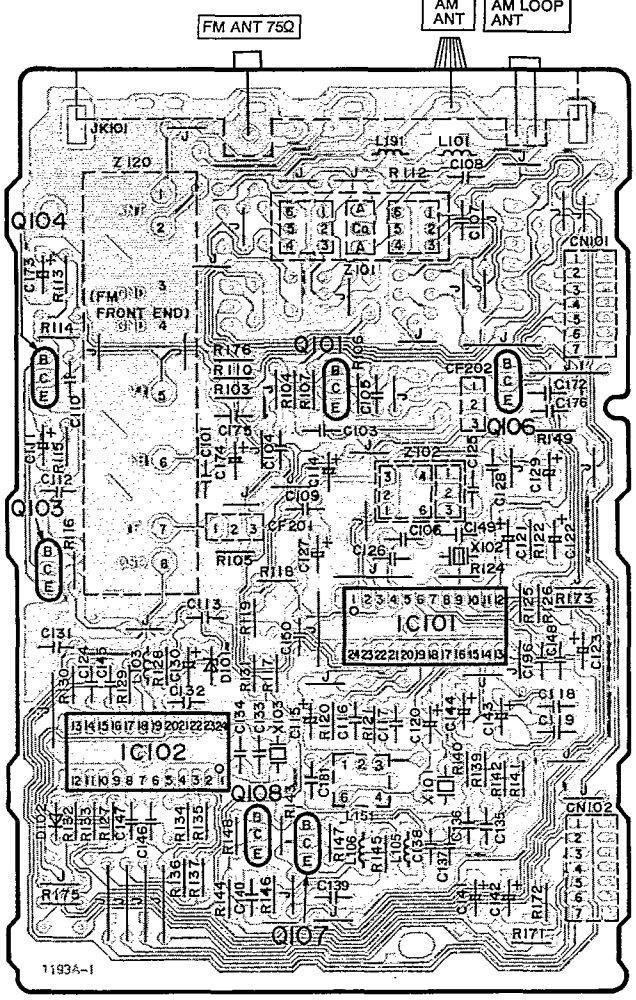
1 2 3 4 5

A B C D E F G

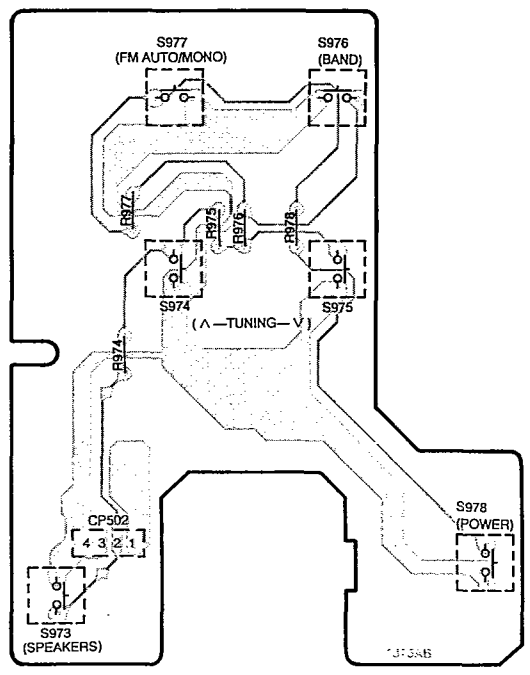
B FL P.C.B. (REP2015B-S...[E,EB]
REP2015C-S...[EG,G,GN])

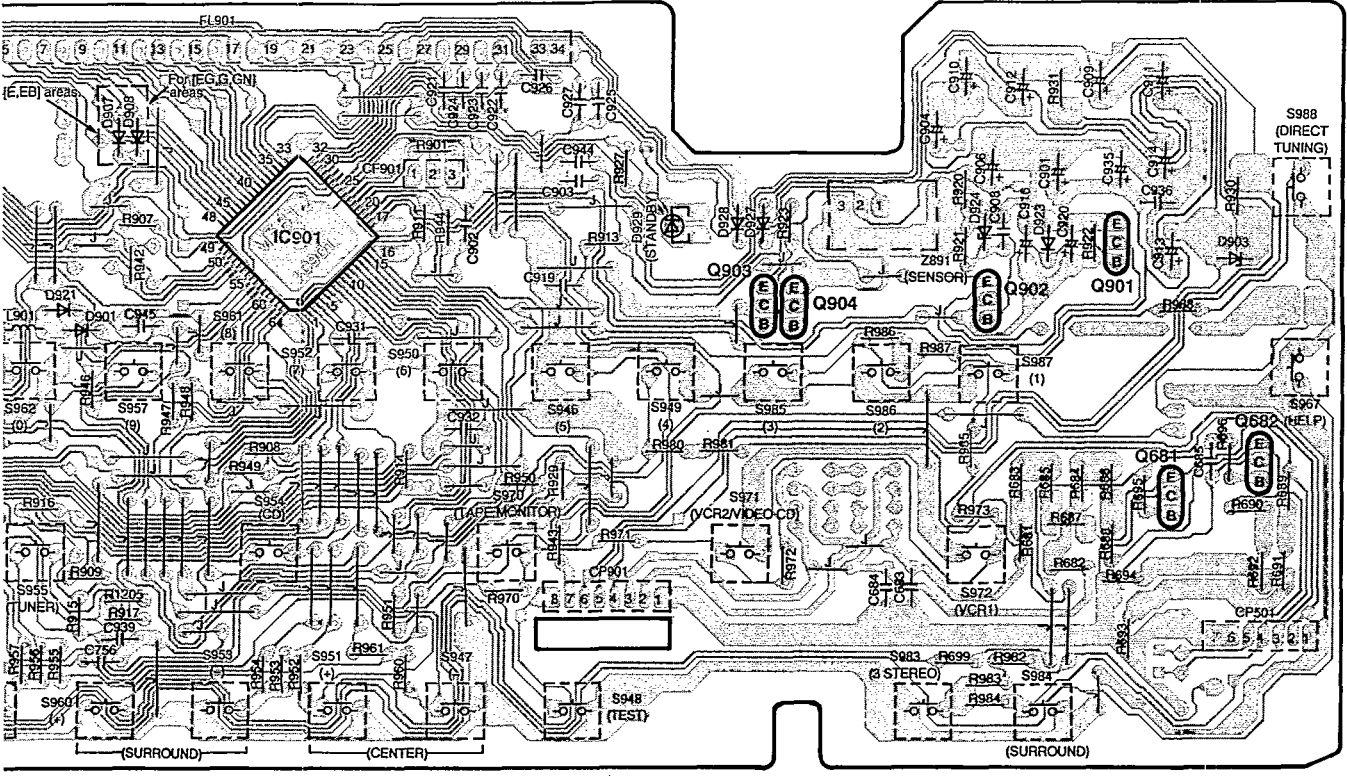


A TUNER P.C.B. For [EG,G,GN] areas.
(REP1750C-T)

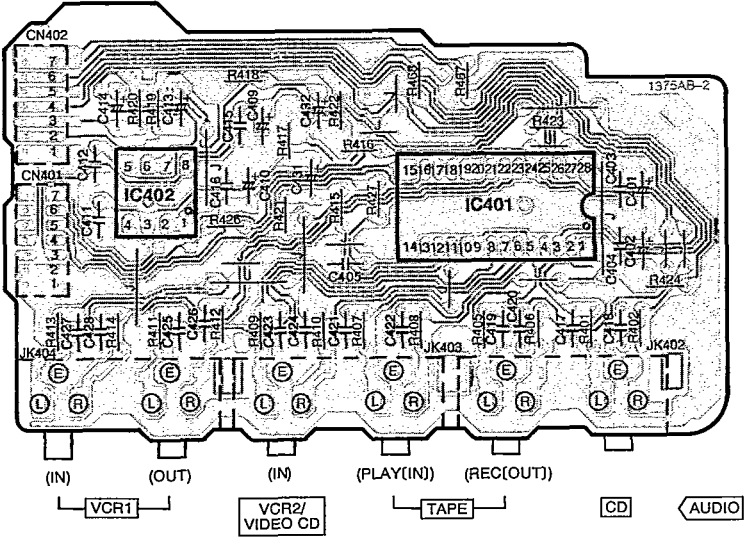


D POWER SWITCH P.C.B.
(REP2015B-S...[E,EB]
REP2015C-S...[EG,G,GN])

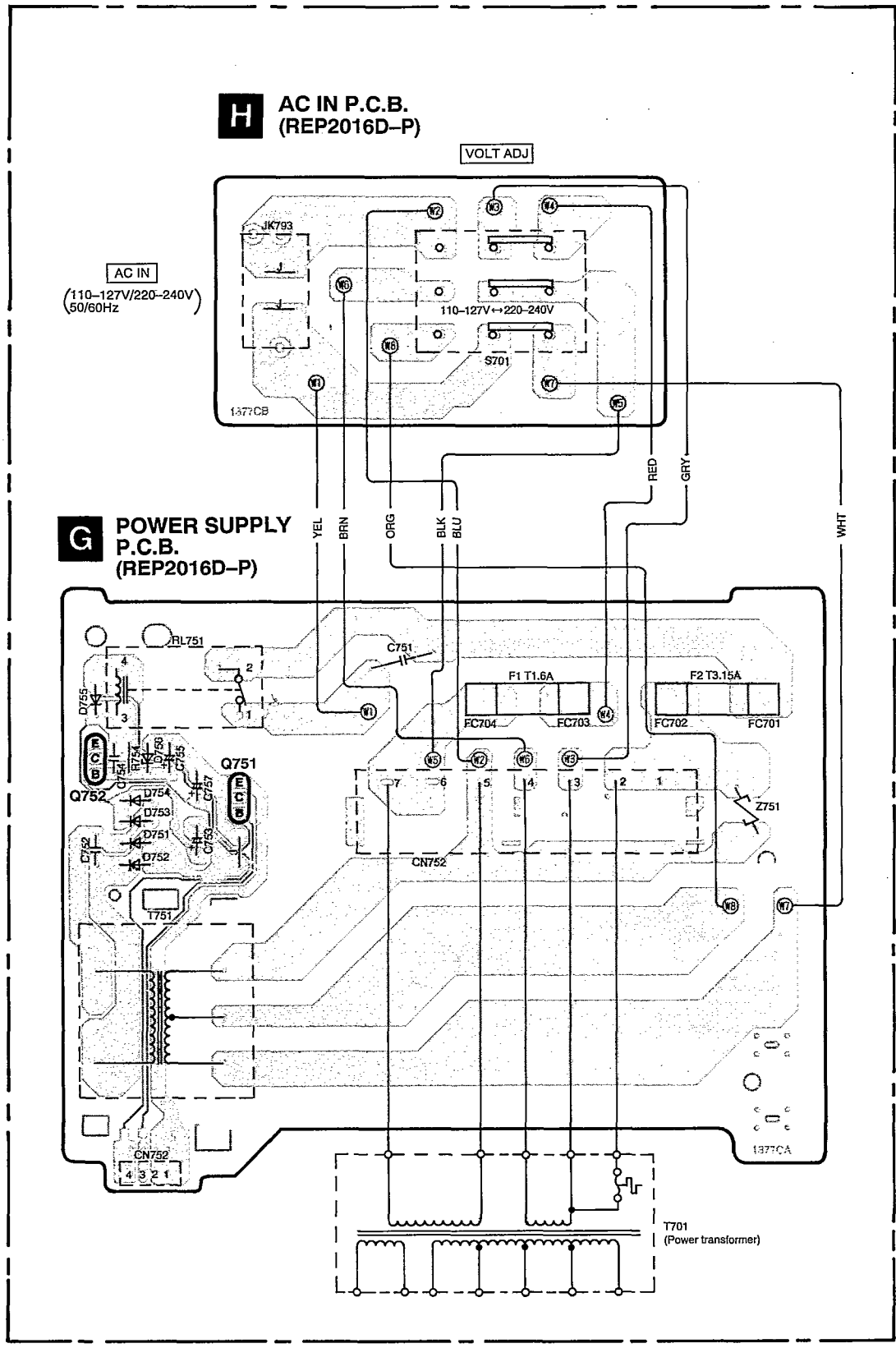




E IN/OUT TERMINAL P.C.B.
 (REP2014B-M...[E,EB,EG])
 (REP2014C-M...[G,GN])



Power Source P.C.B. For[G] area.



WIRING CONNECTION DIAGRAM

